

# PRODUCT INFORMATION PACKET

Model No: 048A11O2052

Catalog No: X418

0.33 HP Fan and Blower HVAC/R Motor, 1 phase, 1200 RPM, 208-230 V, 48Y Frame, OPAO  
Direct Drive Motors



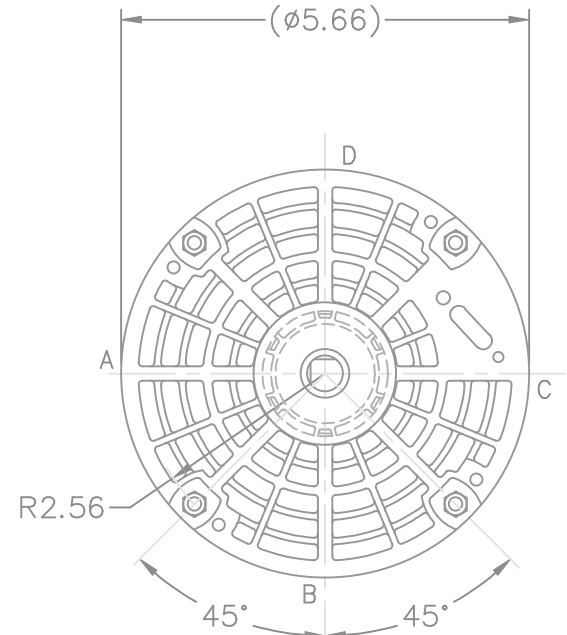
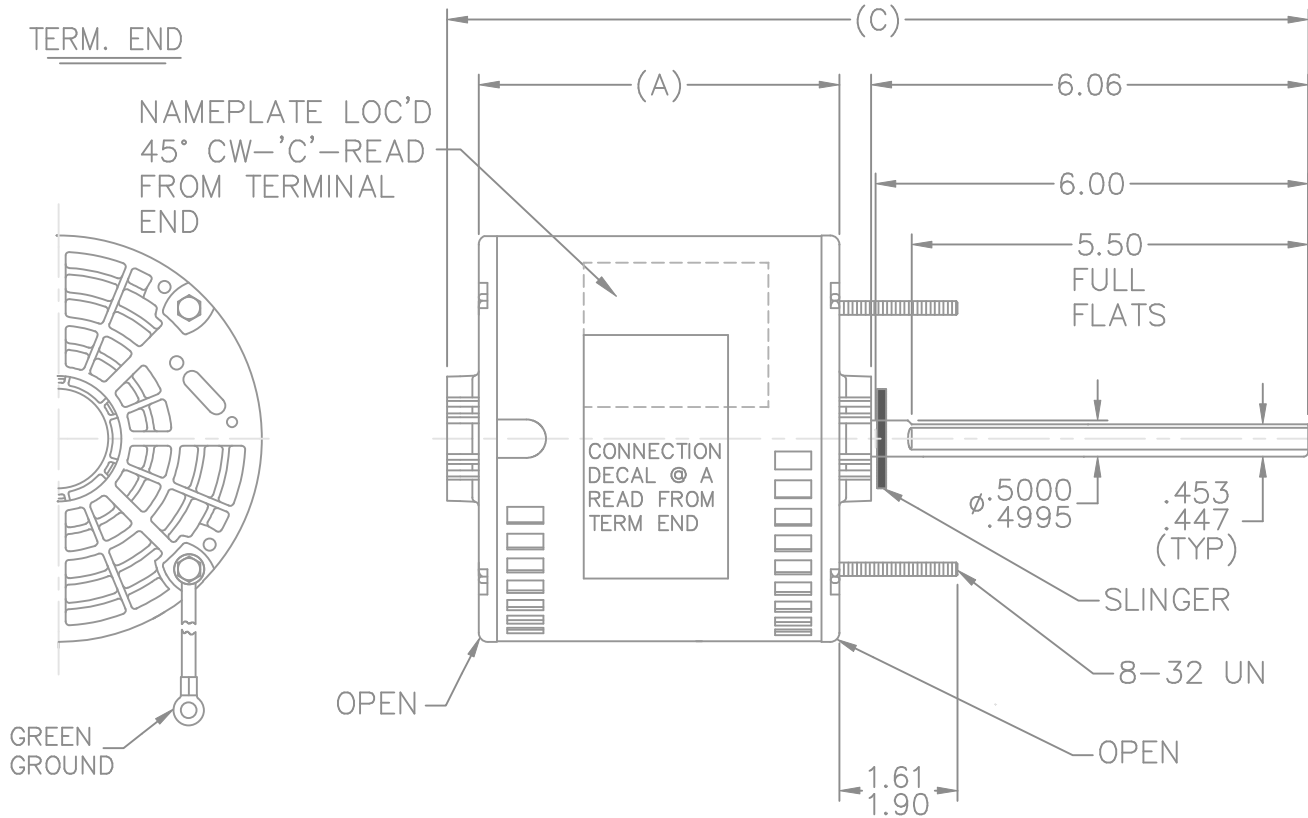
### Nameplate Specifications

Output HP	<b>0.33 Hp</b>	Output KW	<b>0.25 kW</b>
Frequency	<b>60 Hz</b>	Voltage	<b>208-230 V</b>
Current	<b>3.1 A</b>	Speed	<b>1075 rpm</b>
Service Factor	<b>1</b>	Phase	<b>1</b>
Efficiency	<b>57.9 %</b>	Power Factor	<b>72.5</b>
Duty	<b>Continuous</b>	Insulation Class	<b>B</b>
Design Code	<b>NO DESIGN CODE</b>	KVA Code	<b>D</b>
Frame	<b>48Y</b>	Enclosure	<b>Open Air Over</b>
Thermal Protection	<b>Automatic Lock Rotor Only</b>	Ambient Temperature	<b>40 °C</b>
Drive End Bearing Size	<b>6203</b>	Opp Drive End Bearing Size	<b>6203</b>
UL	<b>Recognized</b>	CSA	<b>Y</b>
CE	<b>N</b>	IP Code	<b>01</b>

### Technical Specifications

Electrical Type	<b>Permanent Split Capacitor</b>	Starting Method	<b>Across The Line</b>
Poles	<b>6</b>	Rotation	<b>Selective Counterclockwise</b>
Mounting	<b>Round - Extended Studs</b>	Motor Orientation	<b>Horizontal</b>
Drive End Bearing	<b>Ball</b>	Opp Drive End Bearing	<b>Ball</b>
Frame Material	<b>Rolled Steel</b>	Shaft Type	<b>Single Special Extension</b>
Overall Length	<b>11.44 in</b>	Frame Length	<b>4.00 in</b>
Shaft Diameter	<b>0.500 in</b>	Shaft Extension	<b>6.06 in</b>
Assembly/Box Mounting	<b>F1 ONLY</b>		
Connection Drawing	<b>6906496</b>	Outline Drawing	<b>A-SS74450-400</b>

This is an uncontrolled document once printed or downloaded and is subject to change without notice. Date Created:04/01/2021



DASH	FRAME	C	A
375	48Y	11.19	4.25
400	48Y	11.44	4.50
425	48Y	11.69	4.75
450	48Y	11.94	5.00
475	48Y	12.19	5.25
500	48Y	12.44	5.50

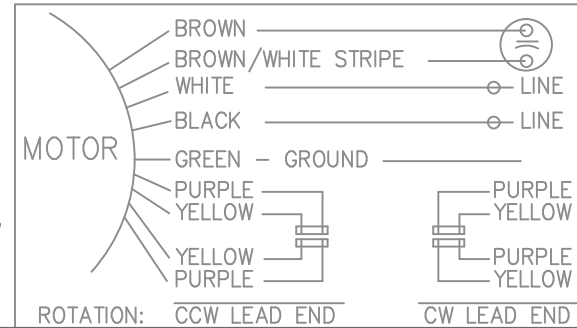
LEAD DESCRIPTION:

1 BLACK, AND 1 WHITE LEAD WITH .50 BARE WIRE STRIP 30.00" LONG.

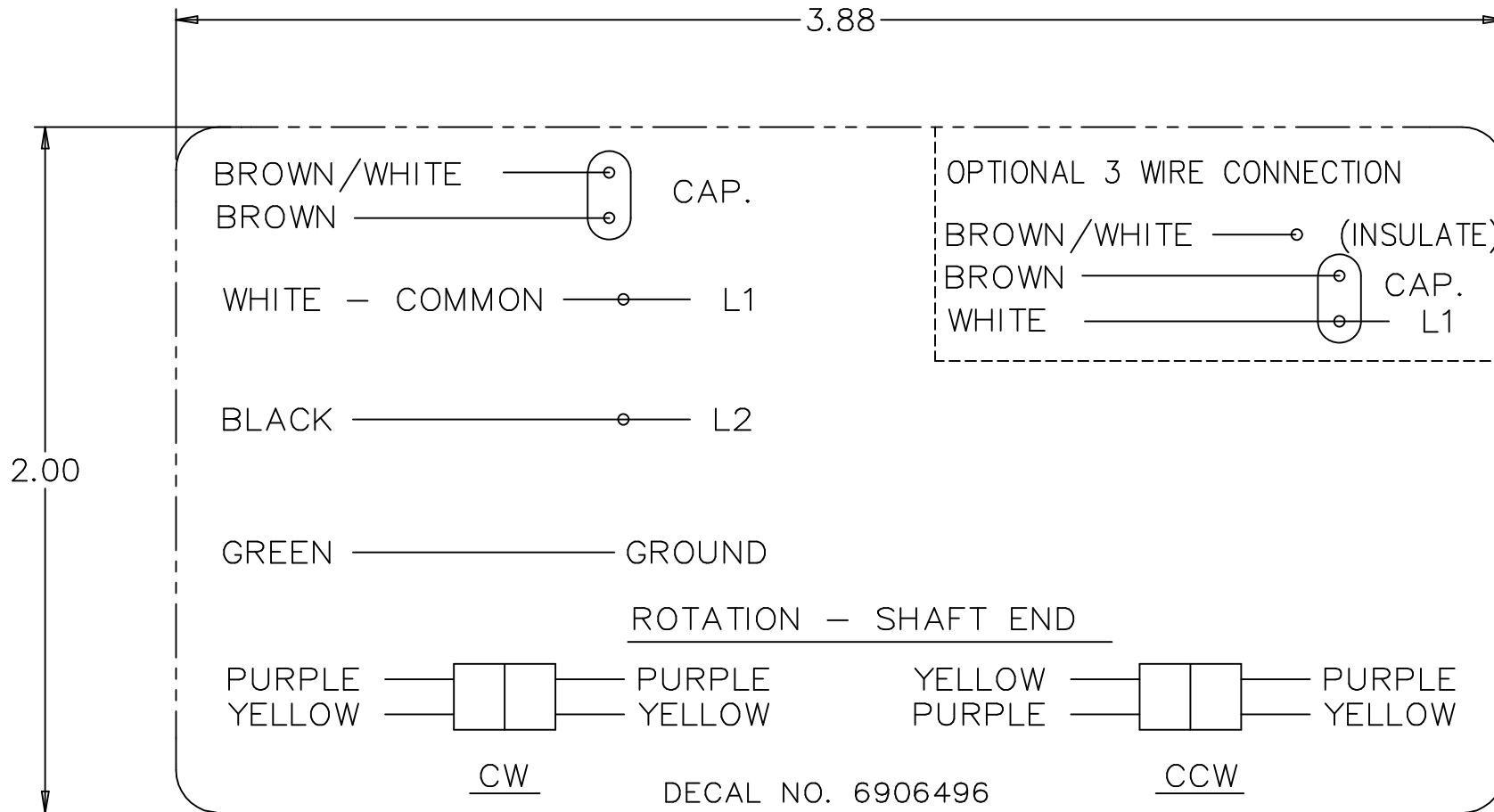
2 BROWN CAPACITOR LEADS WITH .25 FLAG-TYPE QUICK CONNECTS 30.00" LONG BROWN WITH WHITE MARK IS COMMON TO WHITE LEAD.

REVERSING LEADS ARE MOLDED INTO MATING PULL APART PLUGS 1 PURPLE, AND 1 YELLOW PER PLUG 5.00" LONG.

GREEN GROUND LEAD WITH TERM. FOR #10 SCREW 12.00" LONG.



			TOLERANCES UNLESS SPECIFIED		MARATHON ELECTRIC	DRAWN BLR 09-14-1995				
NO.	REVISION	BY & DATE	CHK	ANG		DEC.	INCHES	CHK DA 09-28-1995		
6	UPDATED DRAWING	TJW 04/13/2007					APPD GK 09-28-1995			
5	REDRAWN IN AUTOCAD	TAT 08-03-2004	ML	.X	±.1		SCALE 3=8			
4	REAR BRACKET WAS IDENTIFIED WRONG	BRH 04-19-1996		.XX	±.03	TITLE OUTLINE	REF			
3	REV. NAMEPLATE LOC., ADD'D SLINGER CN 21725-385	BLR 04-16-1996		.XXX	±.005	MAT'L.	FMF			
2	REDRAWN AND REVISED LEAD LENGTHS CN 21148	BLR 09-28-1995		.XXXX	±.0005	FINISH	PREV			
THIS DRAWING IN DESIGN AND DETAIL IS OUR PROPERTY AND MUST NOT BE USED EXCEPT IN CONNECTION WITH OUR WORK ALL RIGHTS OF DESIGN AND INVENTION ARE RESERVED THIS IS AN ELECTRONICALLY GENERATED DOCUMENT - DO NOT SCALE THIS PRINT			RFP	WP	CAD FILE ss74450		SIZE A	DRAWING NO. SS74450	PAGE OF	REV. 6



NO.	REVISION	BY & DATE	CHK	TOLERANCES UNLESS SPECIFIED		FINISH	DRAWING NO.	PAGE	OF	REV.	
				DEC.	INCHES						
4	ADDED DIM. TO DECAL	RDH 09/22/2003	ML	.X	±.1	REGAL-BELOIT <i>Motor Technologies</i>	6906496	1	4	DRAWN MRB 04-16-1998	
3	REMOVED 'MARATHON ELECTRIC' CN 35106	DRS 05-01-2002	TOM	.XX	±.02					CHK ML 04-22-1998	
2	PART NAME WAS CONNECTION DIAGRAM CN 25669	MRB 04-23-1998		.XXX	±.005					APPD GK 04-22-1998	
1	NEW DRAWING CN 25669	MRB 04-22-1998		.XXXX	±.0005					TITLE CONNECTION DECAL	
						MAT'L.				SCALE 1=1	
										REF	
										FMF	
										PREV	
THIS DRAWING IN DESIGN AND DETAIL IS OUR PROPERTY AND MUST NOT BE USED EXCEPT IN CONNECTION WITH OUR WORK ALL RIGHTS OF DESIGN AND INVENTION ARE RESERVED THIS IS AN ELECTRONICALLY GENERATED DOCUMENT - DO NOT SCALE THIS PRINT				RFP	CAD FILE 6906496			SIZE	DRAWING NO. PAGE OF		REV.
				DIST	WP	A			6906496		4







**MARATHON ELECTRIC CORPORATION**  
TYPICAL PERFORMANCE CURVE for AC MOTOR

Customer

Curve at

230 Volts  
60 HZ  
0.33 HP

HP 0.33

PHASE 1

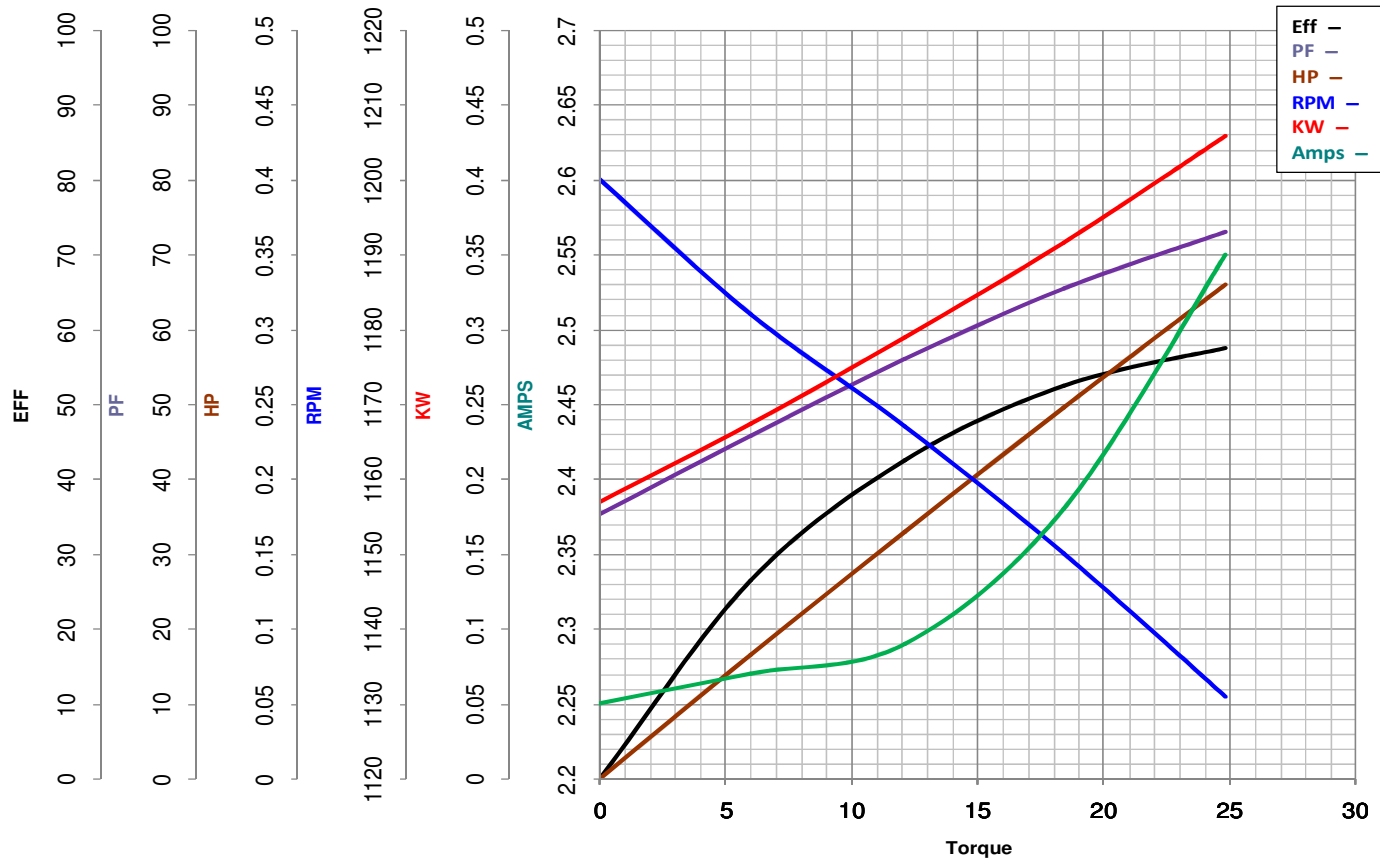
Model No 48A11O2052

VOLTS 208-230

Catalog No X418

HZ 60

RPM 1075



Torque in Oz.Ft

FL TORQUE 24.8 Oz.Ft  
BD TORQUE 48.7 Oz.Ft  
LR TORQUE 10.5 Oz.Ft

FL AMPS 3.1  
PU TORQUE 10.0 Oz.Ft  
LR AMPS 7.07

WINDING PE486287-2

Date 1/4/2019